

EN 14785
BlmSchV Stufe 2
Regensburger BStV / Aachener BStV / Munchener BStV
ART.15a B-VG / Klimafonds / LRV
5 stelle DM.186 / Conto Termico 2.0

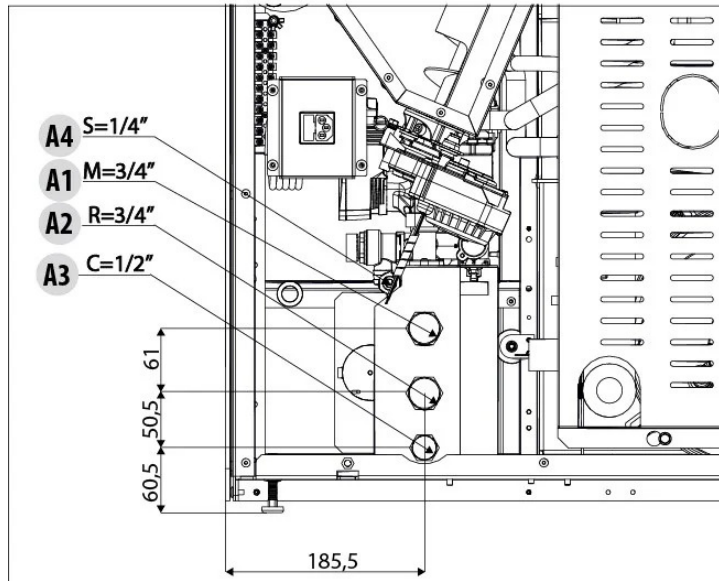


BAFA
Bundesamt für Wirtschaft
und Ausfuhrkontrolle

| | |
|---|--------------------------------------|
| (Max) nominal heat output | 17.7 kW |
| (Max) nominal heat output (H₂O) | 12.7 kW |
| Minimum heat output | 4.4 kW |
| Minimum heat output (H₂O) | 2.3 kW |
| Efficiency at Max | 94.8 % |
| Efficiency at Min | 95.9 % |
| Energy Efficiency Class (A++ / G scale) | A++ |
| Energy Efficiency Index (EEI) | 134 % |
| Seasonal space heating energy efficiency (η_s) | 92 % |
| Temperature of exhaust smoke at Max | 107 °C |
| Temperature of exhaust smoke at Min | 55 °C |
| Particulate/OGC / Nox (nominal at 13%O₂) | 10 - 2 - 99 mg/Nm³ |
| CO at 13% O₂ at Min and at Max | 0.017 - 0.009 % |
| CO₂ at Min and at Max | 5.9 - 13 % |
| Boiler liters content | 14 l |
| Maximum operating pressure | 2 bar - 200 kPa |
| Recommended draught at Max power | 10 Pa |
| Minimum draught allowed for minimum power | 2 Pa |
| Mass of smoke at Min and at Max | 5.4 - 10.6 g/sec |
| Hopper capacity | 43 l |
| Fuel dimensions | Ø 6mm L 3 ÷ 40mm |
| Hourly consumption at Min and at Max | 1 - 3.9 kg/h * |
| Autonomy at Min and at Max | 28 - 7 h * |
| Heatable volume m³ | 322 - 506 - 885 ** |
| Combustion air inlet | Ø 50 mm |
| Air inlet | 80 cm² |
| Smoke outlet | Ø 80 mm |
| Nominal electrical power (EN 60335-1). | 126 W (max 370 W) |
| Supply voltage and frequency | 230 Volt / 50 Hz |
| Net weight | 190 kg |
| Distance from combustible material (back/side/under) | 20 mm / 200 mm / 0 mm |
| Distance from combustible material (front/ceiling) | 750 mm / 1000 mm |

* Data that may vary depending on the type of pellets used.

**Heatable volume based on the requested power per m³ (respectively 55-35-20 W/m³)



- A1 = Heating water delivery
- A2 = Heating water return
- A3 = System filling/Domestic cold water inlet
- A4 = System outlet
- A5 = Domestic hot water outlet



It is strongly recommended to wash the entire system before connecting it in order to get rid of residues and deposits. Always install shutters in the system leading to the stove so as to disconnect it from the hydraulic system should it be necessary to move it, or when it requires routine and/or special maintenance. Connect the stove using flexible pipes so that the stove is not excessively constrained to the system, and to allow slight movements.